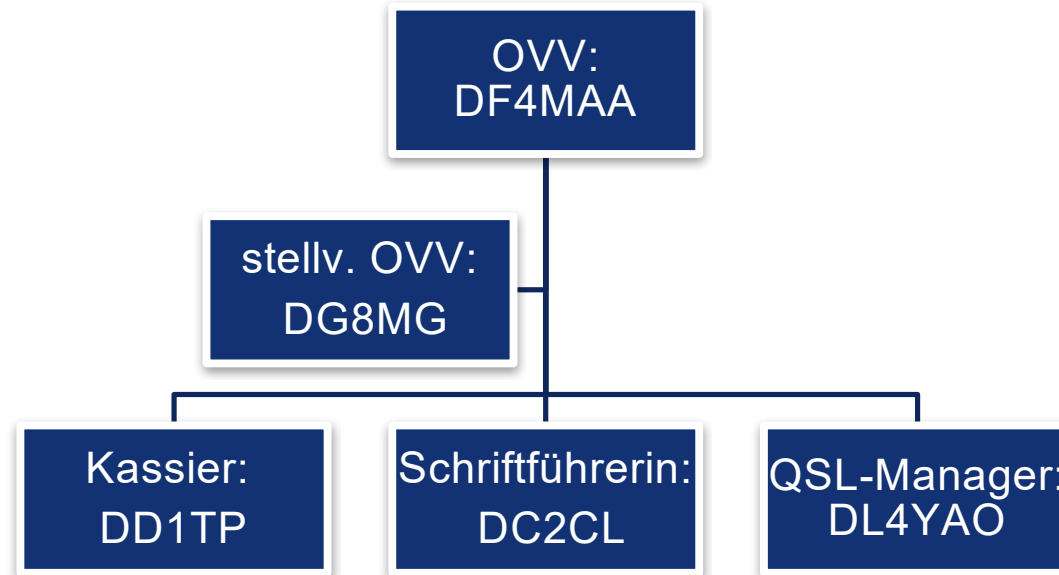


Organigramm OV C25:



Referate:

